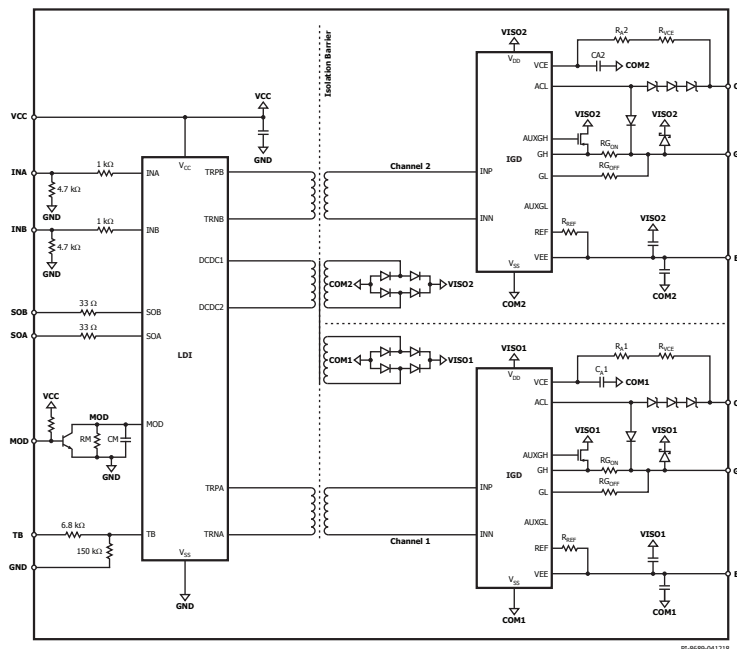


SCALE™ -2 Plug-and-Play Gate Driver 2SP0115T

- +15 V (regulated) / -8 V gate driving
- 1 W output power per channel
- Overvoltage protection by Advanced Active Clamping
- Direct and half-bridge modes
- Supports two-level and multi-level topologies
- IGBT short-circuit protection

Dual-Channel Plug-and-Play Gate Driver for Blocking Voltages up to 1700 V



Applications

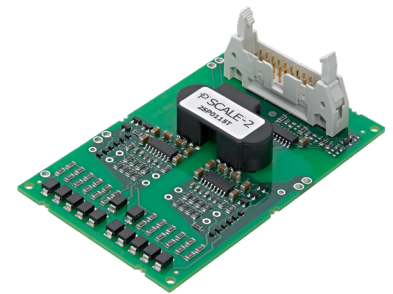
- Wind power inverters
- Industrial motor drives
- Railway auxiliary inverters
- Induction heating
- Photovoltaic inverters
- Uninterruptible power supplies (UPS)
- Medical (MRT, CT, X-ray)

Certifications

- Reinforced isolation according to IEC 60664-1
- UL compliant

Product Details

Parameter	Min	Typical	Max	Unit
Nominal supply voltage		15		V
Supply current @ $f_{in} = 0$ Hz		33		mA
Supply current, full load			220	mA
Output power per channel			1	W
Gate voltage		+15 / -8		V
Peak output current (gate current)	-8		+15	A
Switching frequency (f_s) ¹	0		50	kHz
Duty cycle	0		100	%
Creepage distance primary-secondary	12.6			mm
Clearance distance primary-secondary	12.3			mm
Dielectric test voltage (600 V / 1200 V versions)	3800			V_{RMS}
Dielectric test voltage (1700 V version)	5000			V_{RMS}
Partial discharge extinction voltage (600 / 1200 V versions)	1220			V_{PEAK}
Partial discharge extinction voltage (1700 V version)	1768			V_{PEAK}
Operating temperature 2SP0115T2Ax-xx	-20		+85	°C
Operating temperature 2SP0115T2Bx-xx, 2SP0115T2Cx-xx, 2SP0115T2Dx-xx	-40		+85	°C



¹ Maximum switching frequency depends on the IGBT gate charge. See data sheet for actual value of specific driver.

Design Support

Available Products 2SP0320T products list (www.power.com/2SP0320T)