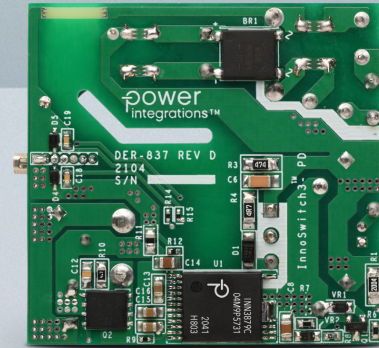
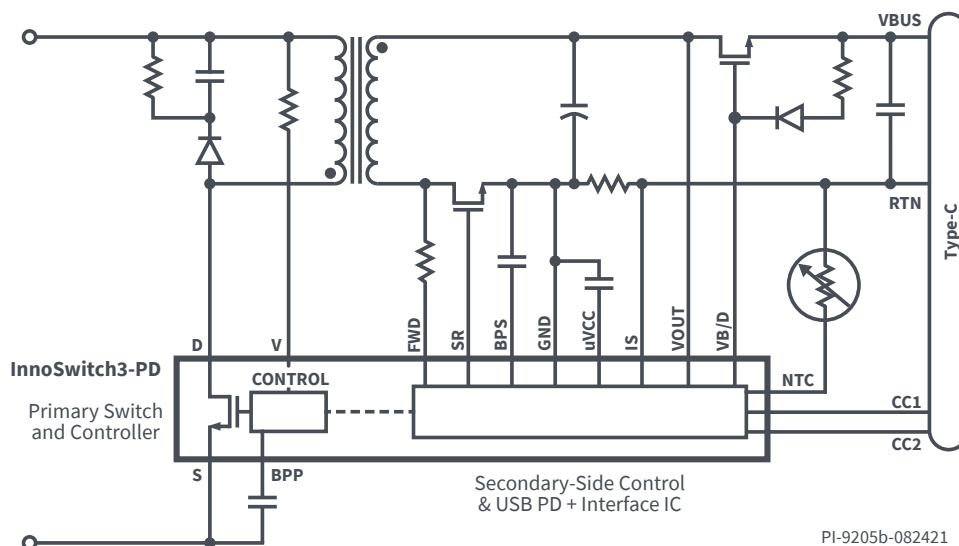


InnoSwitch™ 3-PD

- USB PD 3.0 with PPS microcontroller, load switch and output discharge control
- PowiGaN™ technology – up to 100 W without heatsinks
- Secondary-side controller with FluxLink™ feedback, SR driver, primary switch and controller
- No-load consumption as low as 14 mW
- Fewest parts – simplifies design and manufacture
- Comprehensive protection features



High Efficiency QR Flyback Switcher IC with Integrated USB Type-C and USB-PD Controller



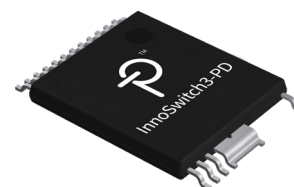
PI-9205b-082421

Applications

- High efficiency, compact USB PD 3.0 + PPS adapters
- Quick Charge 4.0 protocol-based power adapters
- Direct-charge mobile device chargers
- Wall outlet chargers

Output Power

Product	230 VAC ±15%		85-265 VAC	
	Adapter (W)	Open Frame (W)	Adapter (W)	Open Frame (W)
INN3865C	25	30	22	25
INN3866C	35	40	27	36
INN3867C	45	50	40	45
INN3878C	70	75	55	65
INN3879C	80	85	65	75
INN3870C	90	100	75	85



InSOP-24D (C package)

Design Support

Data Sheet	InnoSwitch3-PD data sheet (www.power.com/innoswitch3-pd-data-sheet)
Design Example	30 W USB PD 3.0 power supply with 3.3 V – 16 V PPS output using INN3878C-H804 (DER-836) (www.power.com/der-836)
Design Example	45 W USB PD 3.0 power supply with 3.3 V – 11 V / 5 A (45 W Power-limited) PPS output using INN3879C-H803 (DER-837) (www.power.com/der-837)
Design Example	60 W USB PD 3.0 power supply with 3.3 V – 21 V PPS output using INN3879C-H801 (DER-838) (www.power.com/der-838)
Design Tool	PI Expert™ power supply design software (www.power.com/design-support/pi-expert)